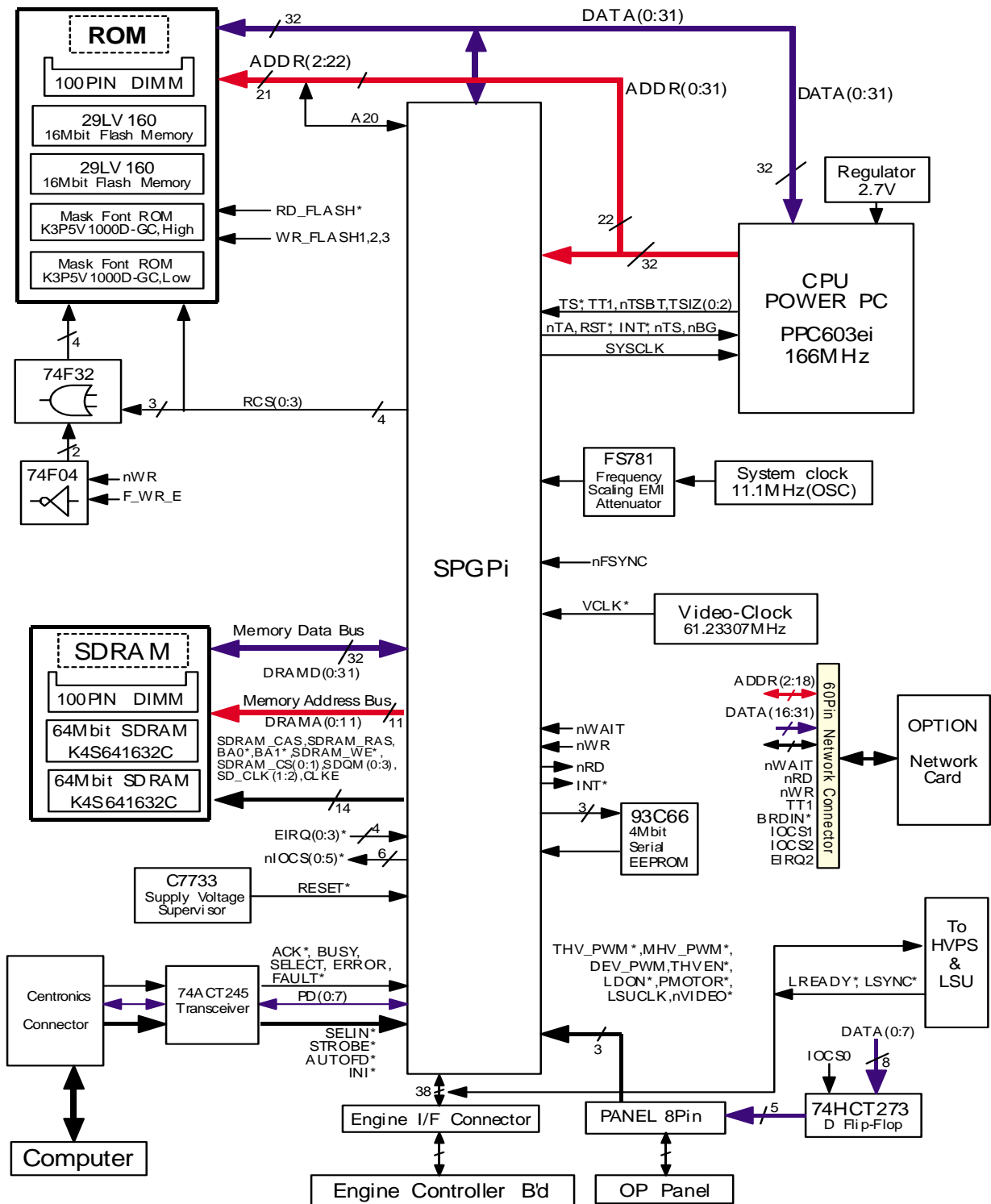


6. Block Diagram

6-1 Video Controller Block Diagram



6-2 Engine Block Diagram

